



Ixa

Foster + Partners Industrial Design

Artemide[®]

Authors

Foster + Partners Industrial Design

Foster + Partners is an international studio for architecture, engineering and design, led by Founder and Chairman Norman Foster and a Partnership Board. Founded in 1967, the practice is characterised by its integrated approach to design, bringing together the depth of resources required to take on some of the most complex projects in the world. They have always had a strong interest in the making of things as an integral part of the design process, rooted in what they believe is a duty to design well and responsibly, whether that is at the scale of an airport or a door handle.

The practice has never drawn a distinction between architecture and industrial design. The point of contact, the thing that you touch, is as important as the broader vision. The industrial design team established in 1980, has developed a wide range of products from door handles to wind turbines; from a fountain pen to the cabin of an executive jet; from a tap to the fit-out of an ocean yacht. Frequently, products are designed in response to a particular project, but they also work directly with clients on product commissions or with companies to develop new products for commercial manufacture.



Ixa

Foster + Partners Industrial Design 2022

Inspired by Alexander Calder's dynamic sculptures, the design interprets the idea of "elegant balance" through precision engineering.

Ixa is a complete and transversal family composed through the combination of an adjustable spherical head, rods and counterweights. It is a smart and scalable principle that allows the Ixa family to expand with the addition of new versions. A larger head is combined with two new structures, wall and ceiling, recalibrated to balance the weight and bring light into the space to respond to different lighting needs.

Ixa is the expression of functional, productive and sustainable intelligence through deliberate choices of reduction and simplification, the result of a solid design know-how. Artemide and Foster+Partners share a profound approach to sustainable design that permeates product development at every stage and singles itself out as an essential element of the project.

Ixa brings light to where it is needed, inviting us to physically interact with the object that makes us authors of our light space.

Flexibility and functionality, quality and dynamism of light, simple, soft lines, with a classic, simple look turn Ixa into a timeless project, which can be reinterpreted in countless situations for a long life, the basis of a sustainable project.

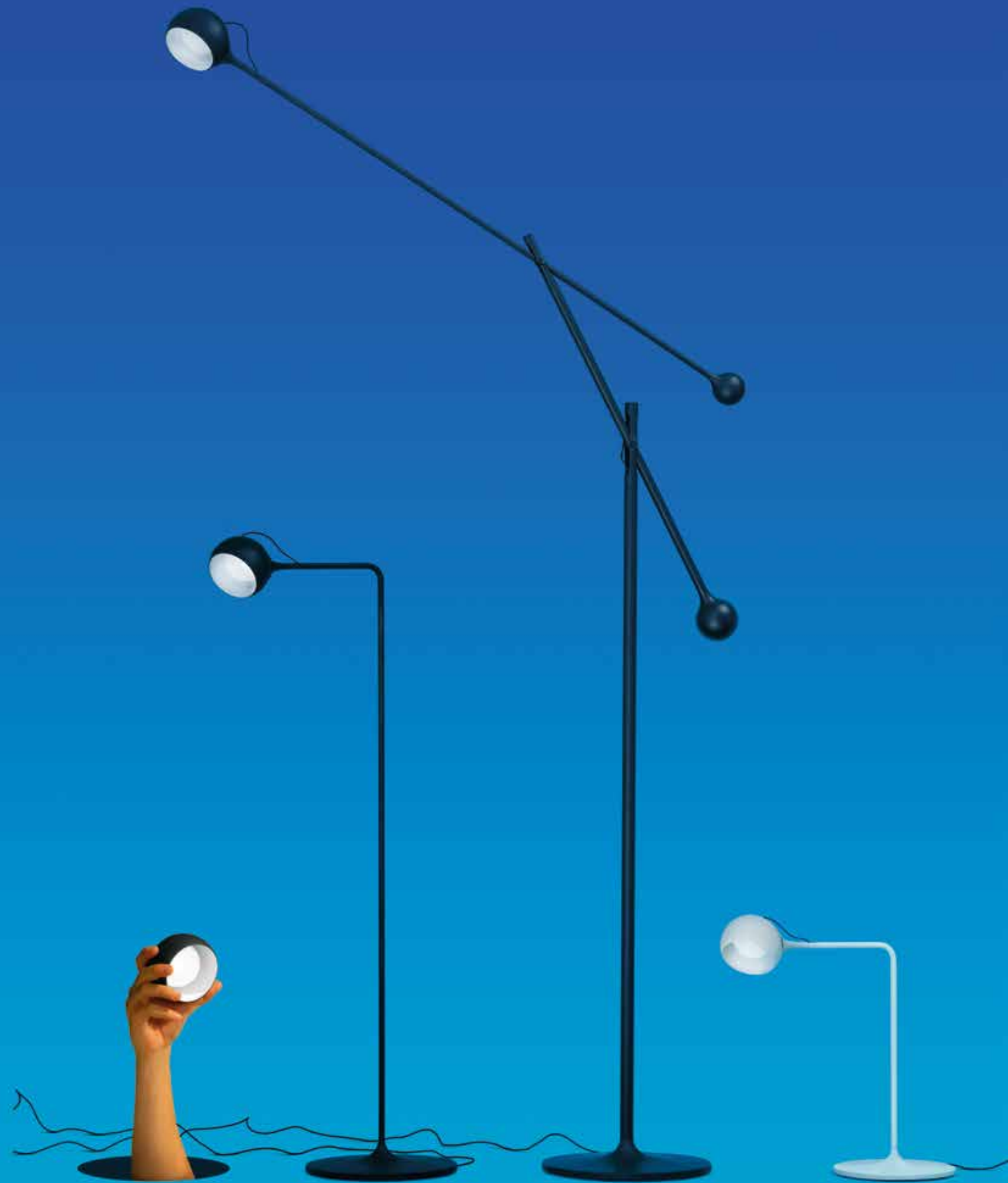


Photo by Pierpaolo Ferrari



Ixa arm wall



Ixa table

- Anthracite
- Blue
- Red
- White/Grey
- Yellow



Ixa wall



Ixa floor



Ixa reading





«Ixa has evolved through an intuitive design and making process. Slight variations in applied weight and movement have informed the lamp's dynamic design.

Ixa provides a flexible, highly personalised lighting experience.»

Mike Holland, Foster+Partners Industrial Design

Ixa Arm Wall







Ixa Wall



Ixa Table







Ixa Reading



Ixa Floor





Ixa Family

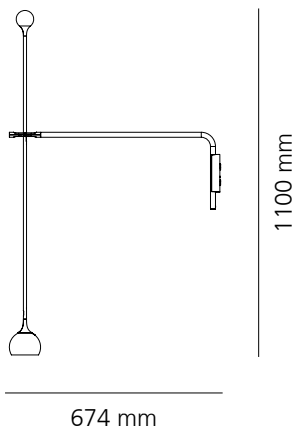
Materials: aluminum, steel, technopolymer.

Power: 9W
Luminous Flux: 465 lm
CCT: 3000K
CRI=90

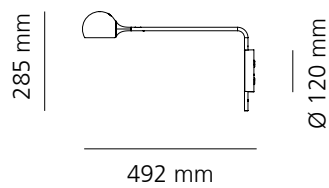
Colours:

- Anthracite
- Blue
- Red
- White/Grey
- Yellow

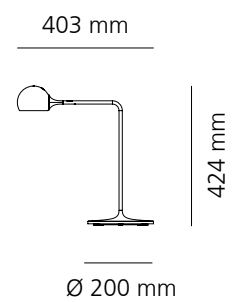
Ixa
Arm Wall



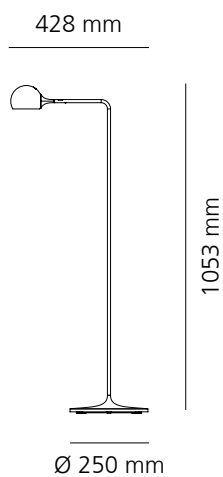
Ixa
Wall



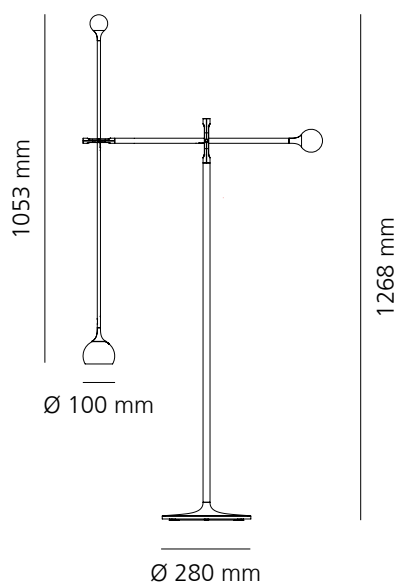
Ixa
Table



Ixa
Reading



Ixa
Floor



IXA ARM WALL

Colour	Wireless Code	Plug Code
Anthracite ●	1114010A	1114050A
Blue ●	1114030A	1114070A
Red ●	1114000A	1114090A
White/Grey ○	1114020A	1114060A
Yellow ●	1114040A	1114080A

IXA WALL

Colour	Wireless Code	Plug Code
Anthracite ●	1113010A	1113050A
Blue ●	1113030A	1113070A
Red ●	1113000A	1113090A
White/Grey ○	1113020A	1113060A
Yellow ●	1113040A	1113080A

IXA TABLE

Colour	Code
Anthracite ●	1110010A
Blue ●	1110030A
Red ●	1110050A
White/Grey ○	1110020A
Yellow ●	1110040A

IXA READING

Colour	Code
Anthracite ●	1112010A
Blue ●	1112030A
Red ●	1112050A
White/Grey ○	1112020A
Yellow ●	1112040A

IXA FLOOR

Colour	Code
Anthracite ●	1111010A
Blue ●	1111030A
Red ●	1111050A
White/Grey ○	1111020A
Yellow ●	1111040A





Headquarters

Artemide S.p.A.

Via Bergamo, 18
20006 Pregnana Milanese (MI), Italy
Tel. +39 02 93518.1
Tel. +39 02 93526.1
Numero verde 800 834 093
(from Italy only)
info@artemide.com
artemide.com

Artemide S.p.A.

si riserva la facoltà di modificare, in qualunque momento e senza preavviso, le caratteristiche tecniche degli elementi illustrati nel presente catalogo.

Artemide S.p.A.

reserves the right to change, at any time and without prior warning, the technical specifications of any product illustrated in this catalogue.

Artemide S.p.A.

se réserve le droit de modifier, à n'importe quel moment et sans préavis, les caractéristiques techniques des éléments illustrés dans ce catalogue.

Artemide S.p.A.

behält sich das Recht vor jederzeit und ohne Ankündigung die technischen Daten der im Katalog abgebildeten Produkte zu ändern.

Artemide S.p.A.

se reserva la facultad de modificar, en cualquier y sin aviso previo, las características técnicas de los elementos ilustrados en el presente catálogo.